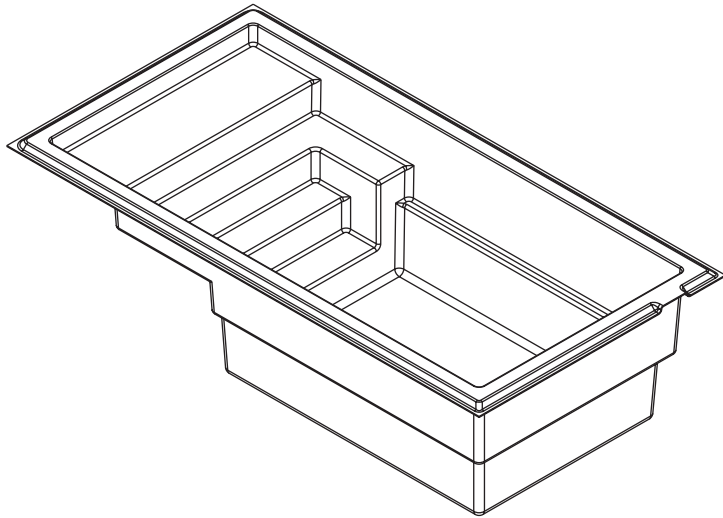


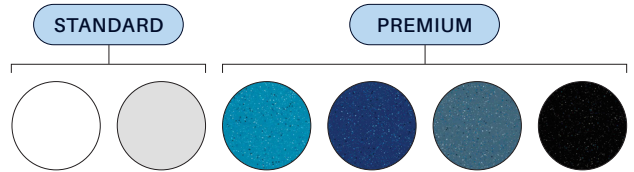
# OPAL



## 8' x 16'



### Available colors



#### OPAL MODEL

<b>DIMENSIONS</b>	8' x 16'
<b>DEPTH</b>	4' 9"
<b>WEIGHT EMPTY POOL</b>	1 075 lbs · 487 kg
<b>INTERIOR VOLUME</b>	401.33 ft <sup>3</sup> · 11.36 m <sup>3</sup>
<b>WATER VOLUME</b>	11 365 L · 3 002 gal

#### INCLUDED:

SKIMMER | RETURN | DRAIN

