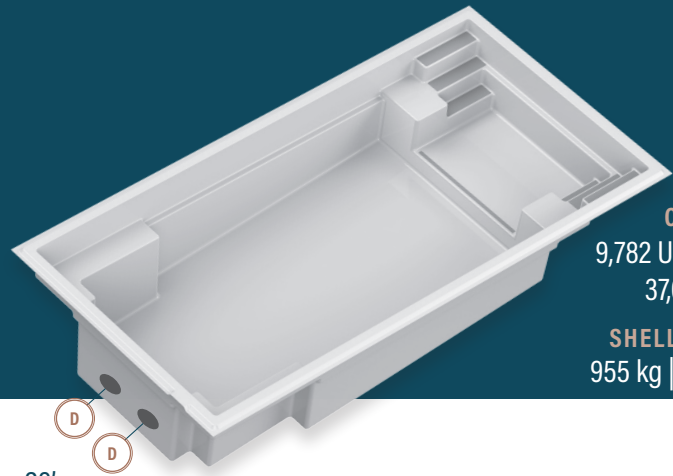


moval

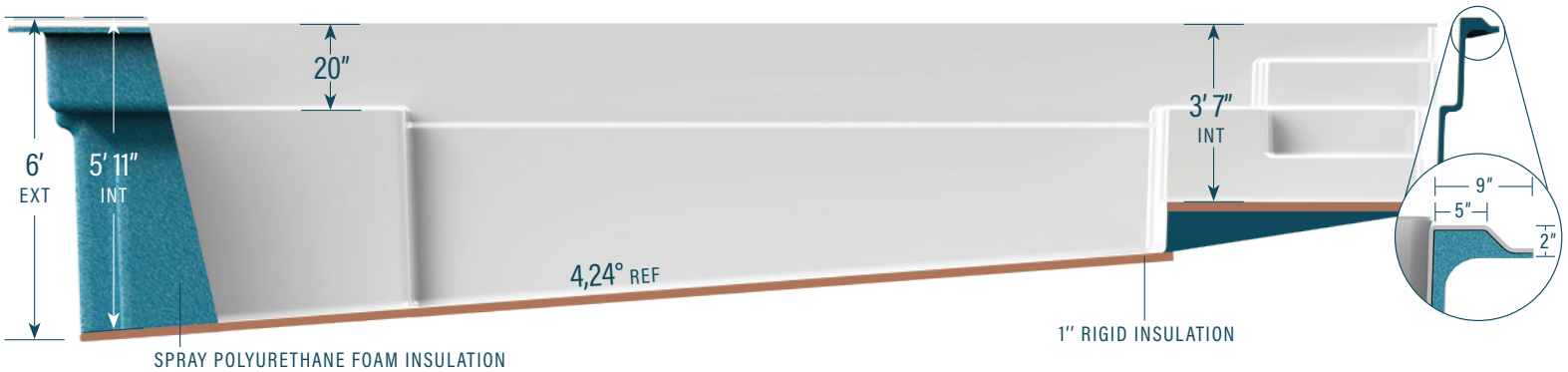
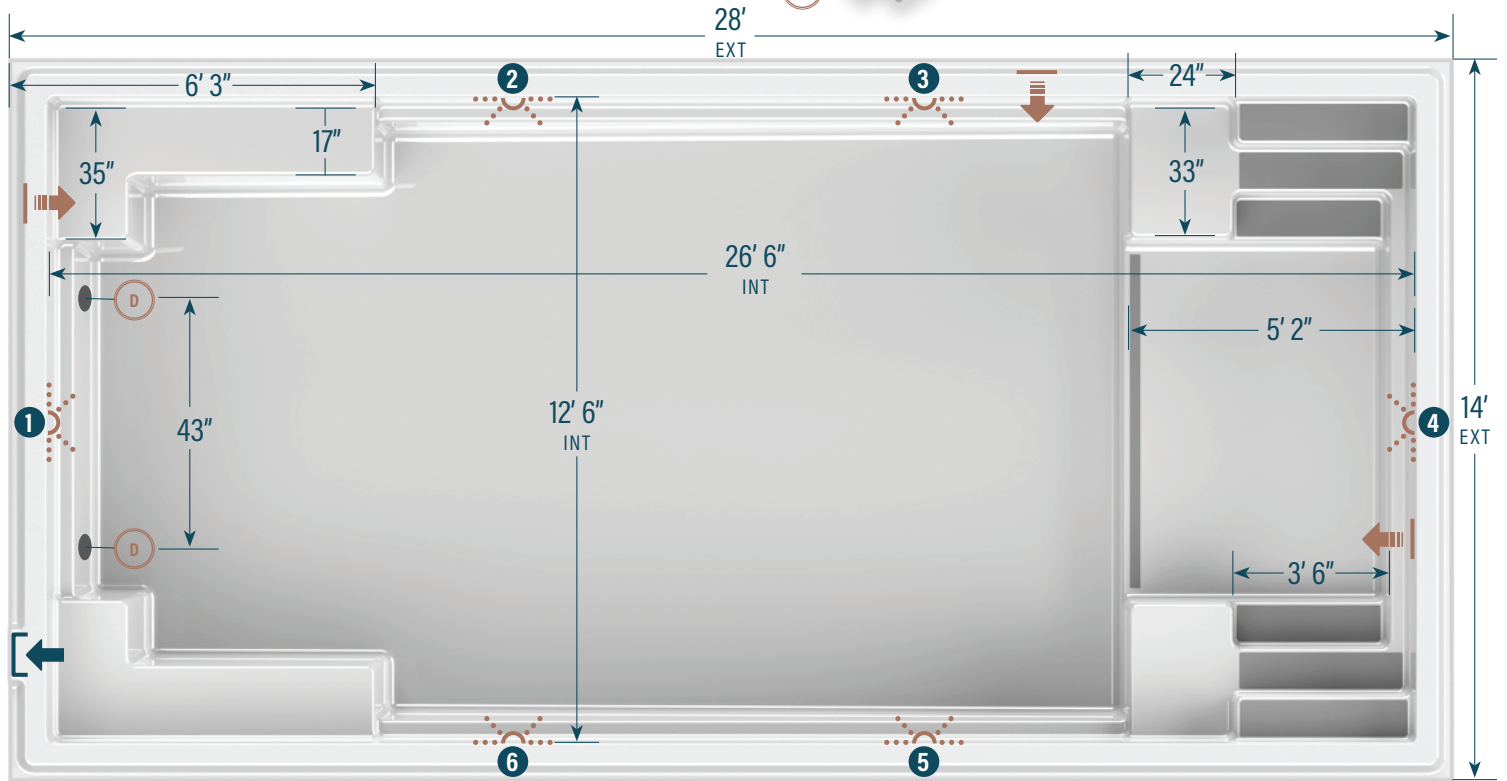
CONTEMPORARY POOLS

14' x 28'-CP



CAPACITY
9,782 US gallons
37,030 litres

SHELL WEIGHT
955 kg | 2,100 lbs



LEGEND

SKIMMER →]	SIDE BOTTOM DRAIN (D)	WATER RETURN ←]]	LED LIGHT (dotted circle)	COLORS WILD WOLF (grey) SEA FOAM (white)
-------------	-----------------------	-------------------	---------------------------	------------------------------------------------

LED LIGHT OPTION (Circle the desired LED lights)	①	②	③	④	⑤	⑥
------------------------------------------------------------	---	---	---	---	---	---



The information in this document is provided for informational purposes only. Consult an authorized dealer and the Mova Pools installation guide for product specifications and installation instructions before purchasing a pool. An installation that does not conform to the instructions may void your warranty.

*Not a resident of Quebec or the Ottawa area? This model is available at a retailer near you.

MOVAPOOOLS.COM